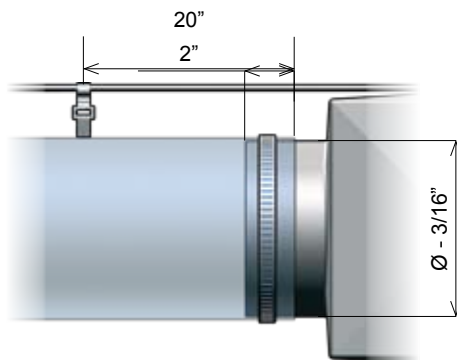
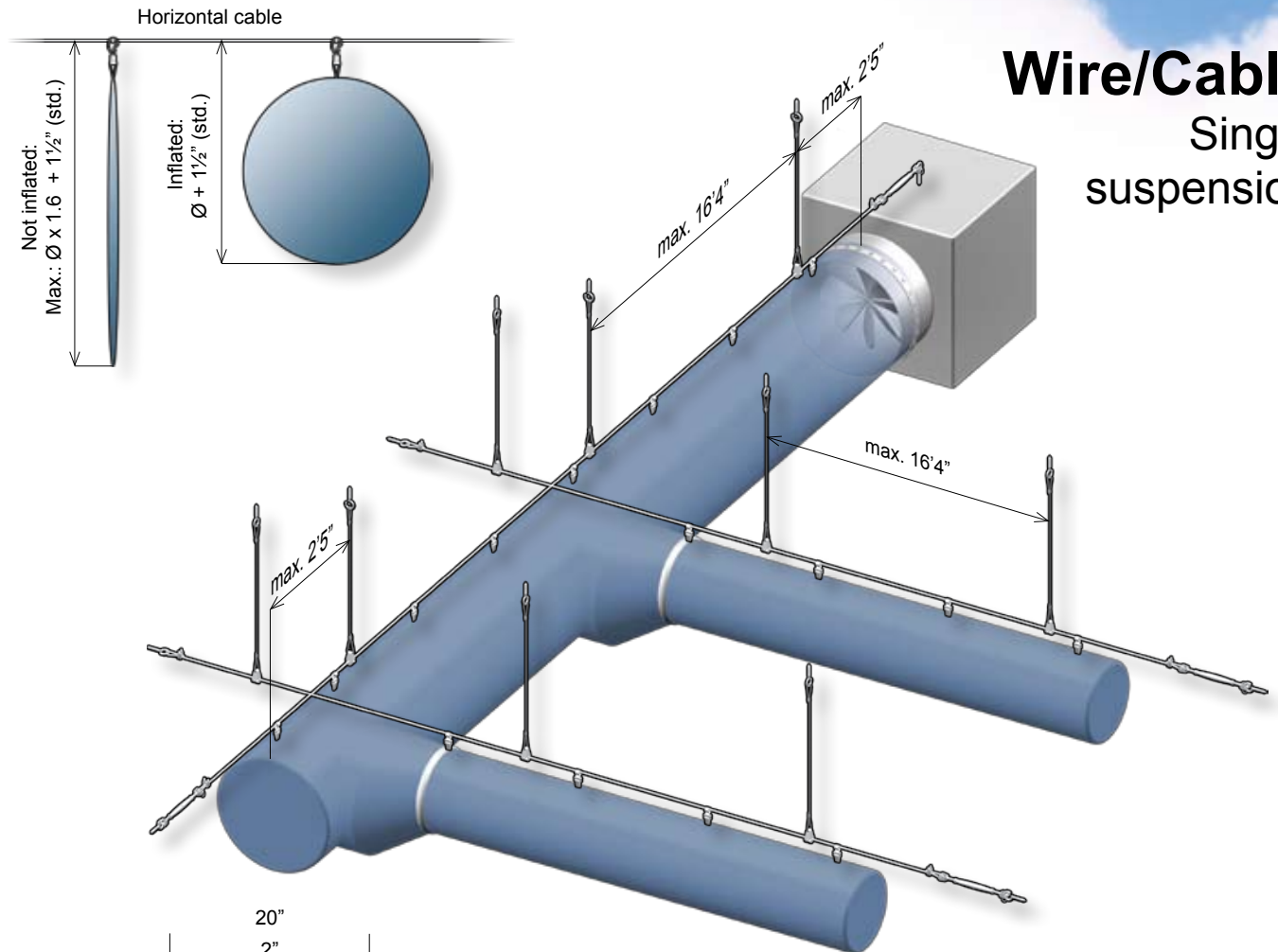


Wire/Cable Single suspension



Ceiling attachment (hook or similar)-----
(not included)

Crimp (fixed)-----

WireStrap-Up (Ø 1/8", std. 39")-----

Crimp (loose - adjustable)-----

Turning clip-----

Horizontal cable (Ø 5/32")-----

KE-clip-----

Cable lock nut-----

Turnbuckle-----

-----KE-Textile duct

-----Wall attachment
(hook or similar)
(not included)

KE Fibertec suggest that a single cable is used for diameters up to Ø 28". For larger ducts double cable suspension is suggested.

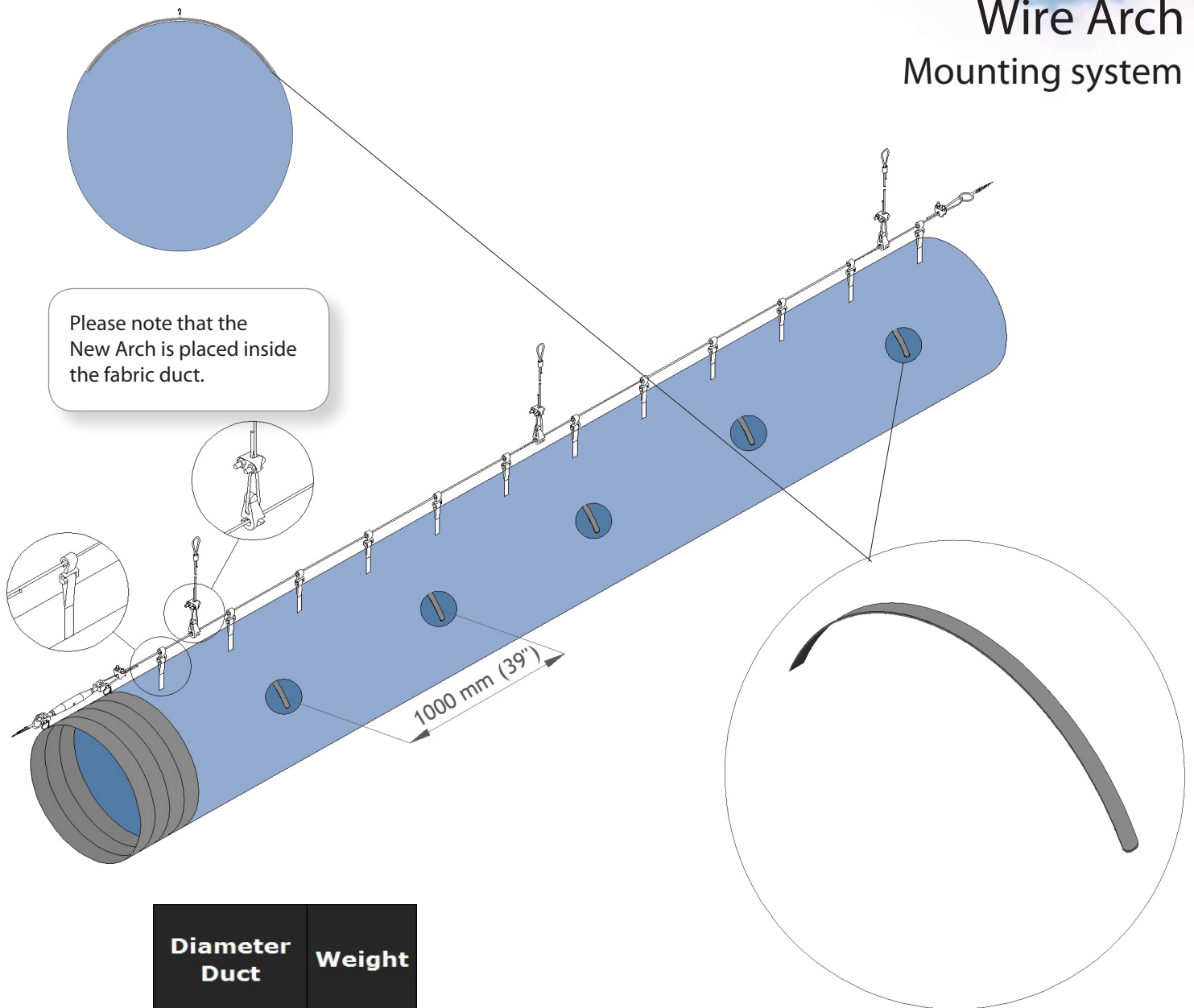
Cable is supplied 10' longer than the duct. For ducts exceeding 55' 2 turnbuckles per cable are supplied.

WireStrap-Ups to the ceiling as standard are supplied in 39" lengths. Different cable lengths are available on request.

Not included in the delivery: Screws/hooks for ceiling and wall attachment.



Wire Arch Mounting system



Diameter Duct	Weight
[Inch]	[oz]
16	3,7
18	4,2
20	4,7
22	5,2
24	5,7
26	6,2
28	6,7
30	7,2
32	7,7
34	8,2
36	8,7
38	9,2
40	9,7
42	10,2
44	10,7
46	11,2
48	11,7

The New Arch keeps the Textile duct looking inflated even when the air is off and makes for an aesthetically appealing installation.

The unique New Arch is constructed in a way, so that the Arch easily can slide into the premade pocket inside the duct, without using any tools.

Inflation "popping" in the Textile duct caused by the initial Air Handler start up can be reduced by using the New Arch.

